















More information on the website  
[radwag.com/en/info,w1,W30](http://radwag.com/en/info,w1,W30)

# PS 210.R2 Precision Balance



## Functions

-  Autotest
-  Dosing
-  Percent Weighing
-  Totalizing
-  Parts counting
-  Peak hold
-  Newton unit measurement
-  Statistics
-  Checkweighing
-  GLP Procedures
-  Animal weighing
-  Density determination

## Datasheet

Metrological parameters	
Maximum capacity [Max]	210 g
Minimum load	20 mg
Readability [d]	0,001 g
Verification scale interval [e]	0,01 g
Tare range	-210 g
Repeatability (Max)	0,001 g
Repeatability (5% Max)	0,0005 g

Metrological parameters	
Linearity	±0,002 g
Stabilization time	2 s
Adjustment	internal (automatic)
OIML Class	II
Physical parameters	
Levelling system	manual
Display	LCD (backlit)
Delivery components	Balance, weighing pan, weighing pan shield, grounding foot ×1, foot ×3, power supply.
Weighing pan dimensions	128×128 mm
Packaging dimensions	470×380×336 mm
Net weight	3,7 kg
Gross weight	5,3 kg
Protection class	IP 43
Communication interface	
Communication interface	2×RS232 <sup>1</sup> , USB-A, USB-B, Wi-Fi (option)
Electrical parameters	
Power supply	Adapter: 100-240V AC 50/60Hz 0,6A; 12V DC 1,2A Balance: 12 – 15V DC 0,4A max
Environmental conditions	
Operating temperature	+10 ÷ +40 °C

Repeatability is expressed as a standard deviation from 10 weighing cycles. Stabilization time depends on the ambient conditions and the dynamics of weighing pan loading; specified for FAST profile. 1 Barcode scanners, available as weighing instrument accessory, communicate with the instrument via RS232 interface exclusively.

\* Wi-Fi® is a registered trademark of Wi-Fi® Alliance.



## Accessories

Balance Storage Case  
Barcode scanners  
Cigarette lighter receptacle power supply cables  
USB cable (scale - printer)  
Receipt Printer  
Density determination KIT  
Anti-Draft Chamber for Balances with a 128×128 mm Weighing Pan  
Antivibration Tables

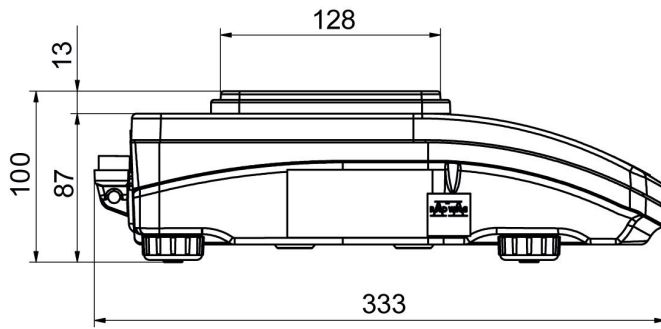
Displays  
Draft Shield  
AP2-1 Current Loop Unit  
RPANEL BOX  
Protective cover for balances  
RS 232, RS 485 cables  
Under-Pan Weighing Rack  
RS 232 cables (scale - printer)

## Software

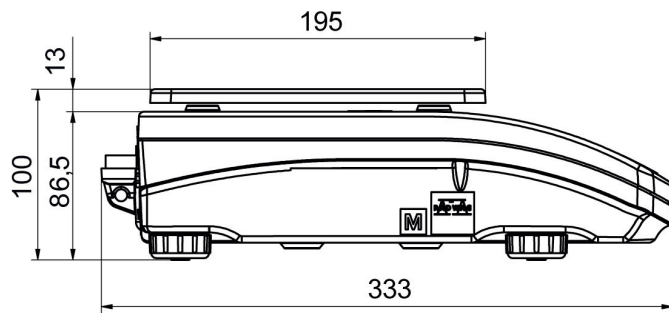
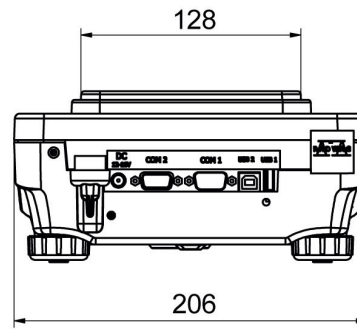
RAD-KEY  
R Panel  
R-LAB  
E2R System

LabVIEW Driver  
Alibi Reader  
RADWAG Development Studio  
R.Barcode

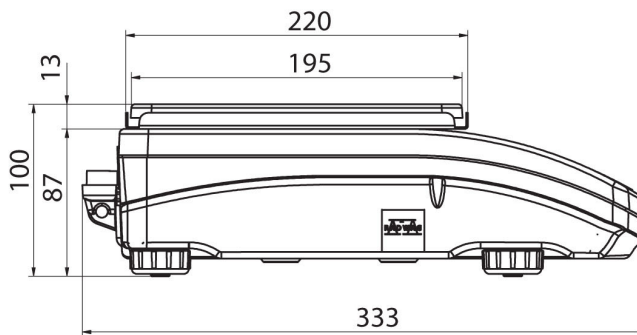
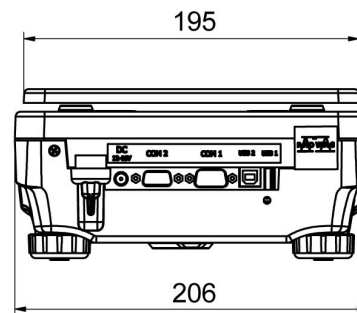
## Device dimensions



PS R, d = 1mg



PS R, d = 10 mg



PS R.M, d = 10 mg

