















More information on the website
radwag.com/en/info,w1,HUB

PS 750.R1 Precision Balance



Functions

-  Autotest
-  Dosing
-  Percent Weighing
-  Totalizing
-  Parts counting
-  Peak hold
-  Newton unit measurement
-  Statistics
-  Checkweighing
-  GLP Procedures
-  Animal weighing
-  Density determination

Datasheet

| Metrological parameters | |
|-------------------------|----------|
| Maximum capacity [Max] | 750 g |
| Minimum load | 20 mg |
| Readability [d] | 0,001 g |
| Tare range | -750 g |
| Repeatability (Max) | 0,0015 g |
| Repeatability (5% Max) | 0,0005 g |
| Linearity | ±0,003 g |

| Metrological parameters | |
|--------------------------|---|
| Stabilization time | 2 s |
| Adjustment | external |
| Physical parameters | |
| Levelling system | manual |
| Display | LCD (backlit) |
| Delivery components | Balance, weighing pan, weighing pan shield, grounding foot ×1, foot ×3, power supply. |
| Weighing pan dimensions | 128×128 mm |
| Packaging dimensions | 470×380×336 mm |
| Net weight | 3,2 kg |
| Gross weight | 4,8 kg |
| Protection class | IP 43 |
| Communication interface | |
| Communication interface | 2×RS232 ¹ , USB-A, USB-B, Wi-Fi (option) |
| Electrical parameters | |
| Power supply | Adapter: 100-240V AC 50/60Hz 0,6A; 12V DC 1,2A Balance: 12 – 15V DC 0,4A max |
| Environmental conditions | |
| Operating temperature | +10 ÷ +40 °C |

Repeatability is expressed as a standard deviation from 10 weighing cycles. Stabilization time depends on the ambient conditions and the dynamics of weighing pan loading; specified for FAST profile. 1 Barcode scanners, available as weighing instrument accessory, communicate with the instrument via RS232 interface exclusively.

* Wi-Fi® is a registered trademark of Wi-Fi® Alliance.



Accessories

| | |
|--|---------------------------------|
| Balance Storage Case | Displays |
| Barcode scanners | Draft Shield |
| Cigarette lighter receptacle power supply cables | AP2-1 Current Loop Unit |
| USB cable (scale - printer) | RPANEL BOX |
| Receipt Printer | Protective cover for balances |
| Density determination KIT | RS 232, RS 485 cables |
| Anti-Draft Chamber for Balances with a 128×128 mm Weighing Pan | Under-Pan Weighing Rack |
| Antivibration Tables | RS 232 cables (scale - printer) |

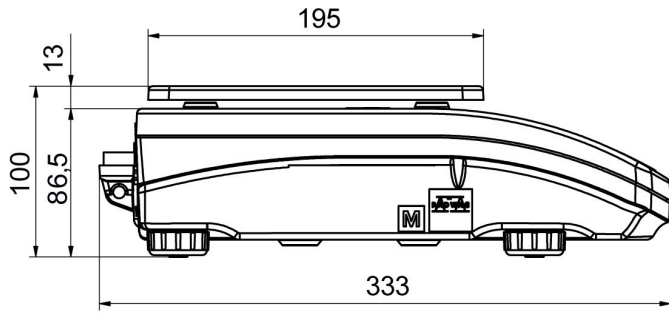
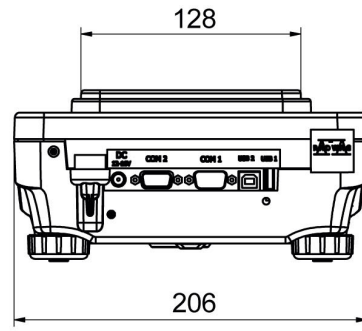
Software

| | |
|------------|---------------------------|
| RAD-KEY | LabVIEW Driver |
| R Panel | Alibi Reader |
| R-LAB | RADWAG Development Studio |
| E2R System | R.Barcode |

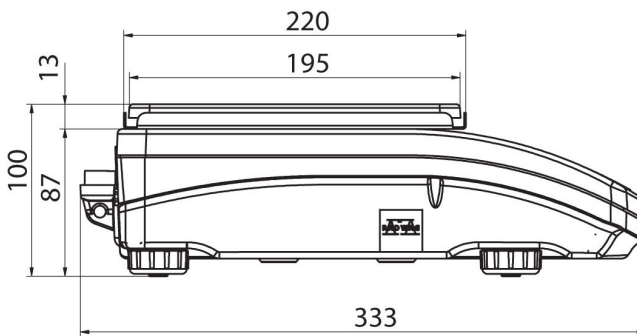
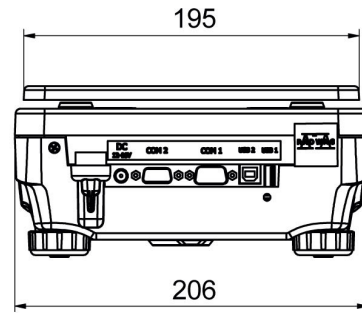
Device dimensions



PS R, d = 1mg



PS R, d = 10 mg



PS R.M, d = 10 mg

