

Panel Mount Rotameter with Valve

Model: MDRT10

Applications

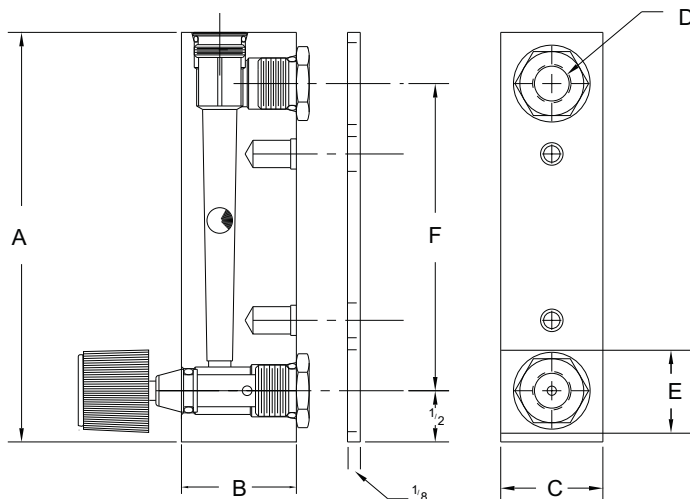
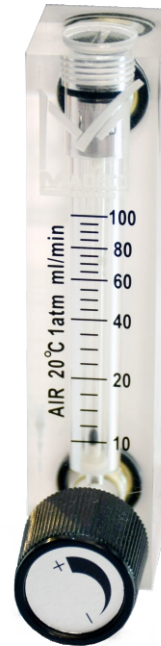
- Universal measuring principle for low viscosity liquids
- Air sampling equipment aquaculture
- Desalination equipment
- Gas analyzers
- Water treatment and distribution systems
- Medical systems

Special features

- Flow measurement up to 2 m³/h for gas and 60 l/h for liquid
- Process pressures up to 8 bar
- Fluid temperature up to 65°C

Description

- **Accuracy class** 4%, 2% (option)
- **Valve materials** Stainless steel, Brass
- **Flow unite** liter, m³, or USG per second, minute or hour (the user should specify the required flow unit while ordering)
- **Ambient Temperature** -10...55°C
- **Connection material** Stainless steel, Brass, Brass coromplate, PVC, PP, ABS
- **Float material** Stainless steel, Acrylic, Agata ball, PTFE
- **Oring material** Silicon ruber, Fluorin rubber, Butyl



Model	Range		Conn.	Dimension							
	ML/M (Liquid)	LPM (GAS)		A	B	C	D	E	F	G	H
M1	6...60	0.05...5	6mm or 8mm Tube Fitting Connector	94	27	21	14	14	70		
M2	8...80	0.1...1									
M3	30...120	0.25...0.5									
M4	40...400	0.6...6									
M5	50...500	1...4									
M6		1...5									
M7		1...10									
M8		1...12									
M9	6...60	0.1...0.8	1/4 Female BSB or 1/2 male BSB	102	30	25	20	M18 1.5	77		
M10	10...70	0.1...1									
M11	16...160	0.3...3									
M12	25...250	0.5...8									
M13	40...400	1...5									
M14	80...400	1...12									
M15	50...500	5...25									
M16	100...500	3...30									
M17	100...600	10...60									
M18	100...800	10...100									
M19	200...800	0.05...0.25 _{m/h}									
M20	100...1000	0.04...0.4 _{m/h}	1/4 Female BSB or 1/2 male BSB	110	25	25	20	M18 1.5	80		
M21	2.5...25 l/h	0.16...1.6 _{m/h}									
M22	5...45 l/h	0.1...1 _{m/h}									
M23	6...60 l/h	0.2...2 _{m/h}									
MC	Customer should consult with the factory if has any special requirement										

MDRT 10 Acrylic Flow meter

ORDERING CODE	Example: MDRT 10	M6	W	B	1	S	1	A
For the nominal range please see the diameter selection table								
Please specify		M6						
Valve								
W - With valve			W					
N - None								
Valve Material								
B - Brass				B				
S - Stainless steel								
C - Customer								
Connection Material								
1 - PVC					1			
2 - PP								
3 - ABS								
4 - Brass								
5 - Brass chrome plate								
6 - 304 Stainless steel								
7 - 316 Stainless steel								
C - Customer								
Float Material								
S - 304 Stainless steel						S		
T - 316 Stainless steel								
A - Acrylic								
G - Agata ball								
P - PTFE								
C - Customer								
Oring Material								
1 - Silicon rubber							1	
2 - Fluorin rubber								
3 - Butyl								
C - Customer								
Accuracy								
A - 4%								A
B - 2%								
C - Customer								



Address: 7191 Yonge street, Toronto, Canada

Tel: +16472221281(5 line)

Web: www.madecotech.com

Email: Info@madecotech.com